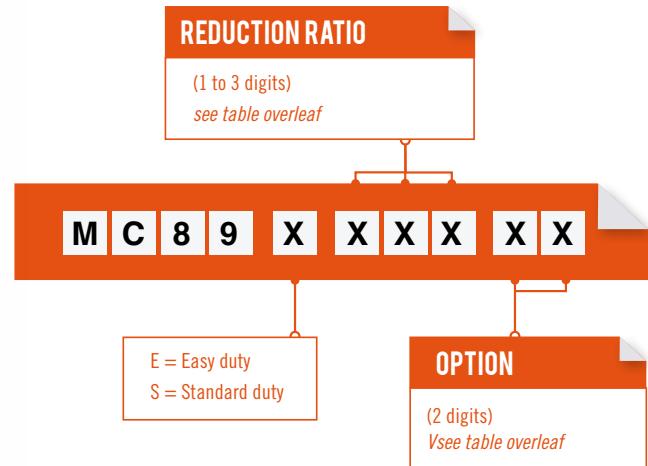


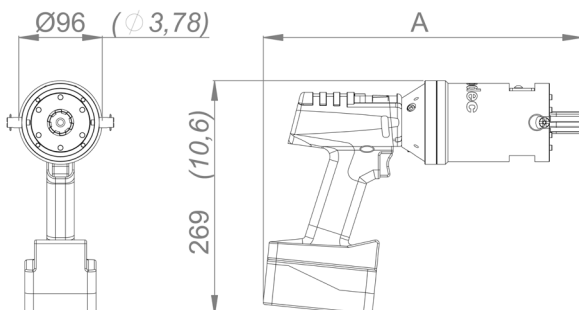
ELECTRIC PORTABLE VALVE ACTUATORS MC89



Although it is **super light and compact**, the MC89 Portable Valves Actuator delivers a 900 Nm (660 lb.ft) maximum torque. This makes it the perfect tool for any valve type, indoor or outdoor, with a great autonomy. Its two **18V Lithium-Ion batteries** allow to use it continuously during **up to one hour**. For an even more intensive usage, use the **main power connection kit** that plugs on the actuator just like a battery and provides an **unlimited autonomy**.

Designed for any type of operation, the MC89 comes with 2 models only that cover a **0 to 320 rpm speed** range and a **900 Nm maximum torque**. No need to say that even the most stubborn valves can be operated! No worry though, the **integrated electronic torque limiter** will easily prevent any damages for your valve or the tool itself.

LAYOUT



LAYOUT	Weight (kg)	Length "A" (mm / in)
MC89E - 011	5,1	354 (13,9)
MC89S - 077	5,4	367 (14,4)
Batterie	0,7	

Watt → Horse power

W x 0,001341 = cv

Newton meter → Foot pound

Nm x 0,7376 = lb.ft

Millimeter → inch

mm x 0,03937 = in

Kv → Cv

Kv x 0,07 = Cv

Bar → pound / square inch

Bar x 14,5 = psi

Normo liter / minute → Standard cube feet / minute

NL / min x 0,03531 = scfm

Kilogramme → Pound

Kg x 2,205 = lb

BATTERIES AND CHARGERS

Batteries technical data	BAT143	BAT144
Voltage	18V	
Capacity	5,20 Ah	6,20 Ah
Autonomy*	24 mn	29 mn
Charging times with standard charger BAT145	45 mn	53 mn
Charging times with quick charger BAT146	33 mn	40 mn
Weight (kg)	0,7 kg	0,7 kg



Charger technical data	BAT145	BAT146
Power supply (input)	220-240V AC	
Mains frequency	50 / 60 Hz	
Charging voltage (output)	10,8 - 18 V DC	
Quick charging	Max 6A	Ma 8A
Charging temperature range	-5 à +55°C	
Safety class	II	
Weight (kg)	0,8 kg	1,1 kg



*Autonomy measured at 50% of the maximum load

The main power connection kit (ref BAT147) connects any main power plug to the actuator (in place of the battery) and provides an unlimited autonomy.

SPEEDCONTROLLER & ELECTRONIC TORQUE LIMITER

The MC89 comes with an embedded **speed control and torque limiter electronic system** for an optimal **people and material protection** as well as a **perfect adaptation** to different constraints and environments. By adjusting the speed control trigger (4 positions) and the max torque scroll wheel (4 positions) and the max torque scroll wheel

(12 positions), you can set the required torque limit and / or rotation speed. When reaching the torque limit, the actuator will stop and sound a beep. The speed control trigger allows to set 4 different speeds and for each of these speeds, the torque scroll wheel allows to set 12 different torque limits.



OPTIONS AND ACCESSORIES

OPTIONS (page 5)		
Digital revolution counter		▶
CODE	00	02



Check the technical data sheet to see which options and accessories are capable of withstanding the torque created by the actuator !

ACCESSORIES	Page
Drive head	6
Adaptors and interfaces	7-14
Torque reaction systems	15-17
Other accessories	20

PERFORMANCES

Straight or with RA30	Free speed (rpm)	Clockwise (D1) maximum torque (Nm (lb.ft))	Counterclockwise (D2) maximum torque (Nm (lb.ft))	Options available
				02
MC89E-011	320	90 (65)	125 (90)	▶
MC89S-077	44	670 (490)	930 (690)	▶



Warning !

Do not use the RA30 right angle head when the torque is higher than 600 Nm (440 lb.ft) or set the torque limit to 600 Nm before use. Read user's manual for more information.

With banjo head BJH01	Free speed (rpm)	Clockwise (D1) maximum torque (Nm (lb.ft))	Counterclockwise (D2) maximum torque (Nm (lb.ft))	Options available
				02
MC89E-011	80	360 (265)	500 (370)	▶
MC89S-077	11	600* (440)	600* (440)	▶



Warning !

Do not use the BJH01 drive head when the torque is higher than 600 Nm (440 lb.ft) or set the torque limit to 150 Nm before use. Read user's manual for more information.

With banjo head BJH02	Free speed (rpm)	Clockwise (D1) maximum torque (Nm (lb.ft))	Counterclockwise (D2) maximum torque (Nm (lb.ft))	Options available
				02
MC89E-011	105	270 (200)	375 (275)	▶
MC89S-077	15	1000 (740)**	1000 (740)**	▶



** Warning ! Do not use the actuator when the torque is higher than 1000 Nm (740 lb.ft) or use a torque limiter

IMPORTANT

For your comfort and safety, please carefully read the instruction manual before using the portable valve actuator.